

Videojet® 1520

Small Character Ink Jet Printer

Ink Jet.

Laser.

Thermal Transfer.

Labelers.

Track & Trace.

Supplies.

Parts & Service.

Simpler operation. Less maintenance. Superior print quality. The all-new Videojet 1520 continuous ink jet printer is engineered to keep your line up and running longer. It's designed for customers who print multiple shifts per day providing 12,000 hours of production before required preventive maintenance.

Advanced capabilities

- Up to 5 lines of code with speeds up to 914 ft./min. (278.6 m/min.)
- Wide range of bar codes (including 2D DataMatrix)
- Advanced Clean Flow™ printhead design maximizes uptime

Low running costs

- Longest run time between maintenance – 12,000 hour core life
- Make-Up consumption as low as 2.4 ml/hour
- Smart Cartridge™ fluid delivery system reduces waste



Superior environmental protection

- IP55 washdown protection
- Optional IP65 dust protection (no plant air required)

VIDEOJET®
Uptime Peace of Mind®



Line Speed Capability

Can print 1 to 5 lines of print at speeds of up to 914 ft./min. (278.6 m/min.) (10 characters per inch, single line of print)

Font Matrix Configuration

Single-line: 5x5, 5x7, 7x9, 8x12, 11x16, 17x24, 34x34
Twin-line: 5x5, 5x7, 7x9, 8x12, 11x16
Tri-line: 5x5, 5x7, 7x9
Quad-line: 5x5, 5x7
Five-line: 5x5

Linear Bar Codes

UPC A&E; EAN 8 & 13; Code 128 A, B & C;
UCC/EAN 128; Code 39; Code 93; Interleaved 2 of 5

DataMatrix Codes

10x10, 12x12, 14x14, 16x16, 18x18, 20x20, 24x24, 34x34

Nominal Character Height

Selectable from 0.079" (2 mm) to 0.40" (10 mm), depending on font

Throw Distance

Optimal: 0.472" (12 mm)
Range: 0.197" (5 mm) to 0.591" (15 mm)

Keyboard

Membrane style with tactile feedback, including 72 numeric, alphabetic, and special function keys. PC-style layout to approximate international PC convention.

Display

320x240 Bright blue backlit 5.7" LCD display.
WYSIWYG onscreen message editing

Custom Logo/Graphics

Can be created by individual user on printer or PC with optional Videojet Logo Creator software

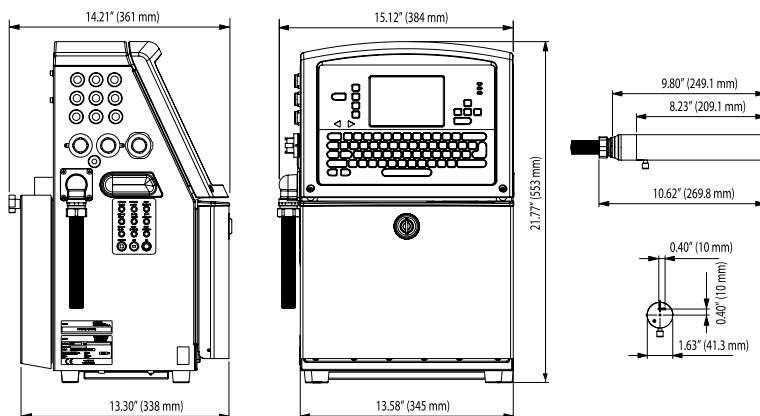
Character Sets

Chinese, Russian/Bulgarian, Turkish/Scandinavian, Greek, Arabic, Japanese/Kanji, Hebrew, Korean, East European and European/American

Languages and Interface Options

English, Arabic, Bulgarian, Czech, Danish, Dutch, Finnish, French, German, Greek, Hebrew, Hungarian, Italian, Japanese, Korean, Norwegian, Polish, Portuguese, Russian, Simple Chinese, Spanish, Swedish, Thai, Traditional Chinese, Turkish and Vietnamese

Dimensions (IP65 Version Shown)



Data Interface

RS232, RS485 and ethernet (standard)
Clarisoft/Clarinet® via RS232 and ethernet
Message management via USB

Message Storage

100 complex messages.

Environmental Protection

IP55 (IP65 option, no plant air required); stainless steel cabinet

Printhead

Heated printhead
Positive air (standard)
Diameter: 1.63" (41.3 mm)
Length: 10.62" (269.8 mm)

Printhead Umbilical

Ultra flexible
Length: 9.84' (3 m) optional 19.69' (6 m)
Diameter: 0.91" (23 mm)
Bend radius: 3.00" (76.2 mm)

Make-Up Fluid Consumption

As low as 2.4 ml per hour

Fluids Containers

Ink Smart Cartridge™ 0.793 qt. (750 ml)
Make-up Smart Cartridge 0.793 qt. (750 ml)

Temperature/Humidity Range

32°F to 122°F (0°C to 50°C)
0% to 90% RH non-condensing
With selected inks; actual installation may require additional hardware based on production environment conditions

Electrical Requirements

Nominal supply power 100-120 / 200-240 VAC at 50/60 Hz., 120 W

Approximate Weight

Unpacked and dry: 46.2 lbs. (21 kg)

Options

IP65 (no plant air required)
Dry air kit for high humidity (requires plant air)
Expanded I/O for remote message select and reverse print
60 or 70 micron nozzle
Food grade version
90 degree printhead
Wide range of accessories



800-843-3610

www.videojet.com / info@videojet.com

Videojet Technologies Inc. / 1500 Mittel Blvd.
Wood Dale IL 60191-1073 / USA

Phone 630-860-7300 Fax 800-582-1343

